

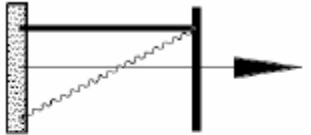
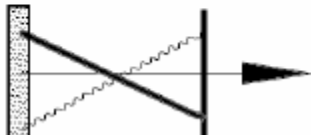
Ducks Unlimited Canada

Fence Construction Specifications

2022

Four-wire Fence:

- Line posts (6'x3-4") spaced 16 ft. apart
 - (=300/mile)
- Corner/Gate post (8'x5-6") – 3/corner and 2/gate
 - (=16/mile)
- Brace (7'x3-4") – order for project specific
- Brace constructed using one of the following methods:

Two-post, horizontal rail	
Two-post, diagonal rail	

- **Three barbed wires and one smooth top wire** (wildlife friendly fencing standards)
 - (=12 barbed rolls/mile and 4 smooth rolls/mile)
 - Bottom wire – 14" from ground
 - Wire spacing – 10"
 - 12" between top two wires (wildlife friendly fencing standards)
 - Smooth top wire – 40" or less from ground (wildlife friendly fencing standards)
 - Wire should be stretched before tightened and stapled
- Staples – 1.75"
 - (=25 lbs/mile)
- Barbed wire gates – 4 wire, closed with DUC gate closer